

wall bay frame



If store layout required corner bays refer to Corner Bay Frame instructions before continuing



Wall Strap

**Hardware not included. Use mounting hardware in coordination with your local regulations.*

Wall Post Extension

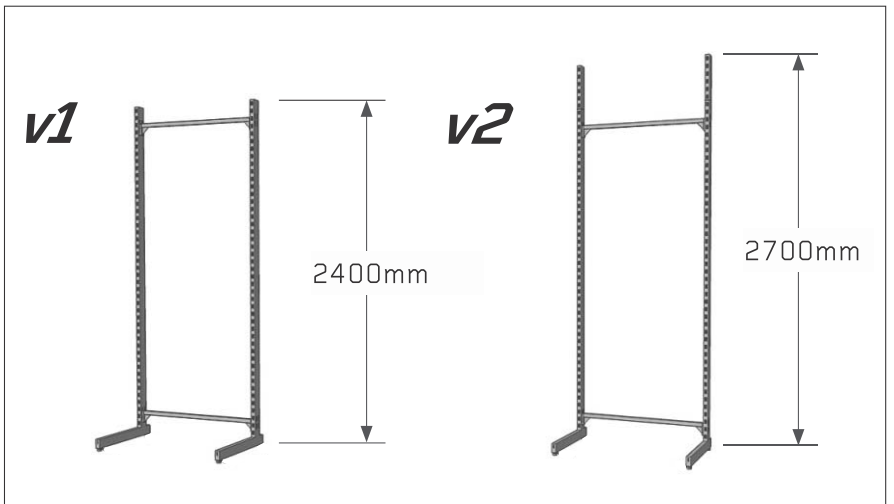
x2 (v2)

Wall Post T1

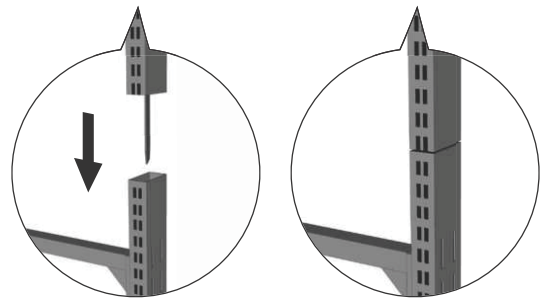
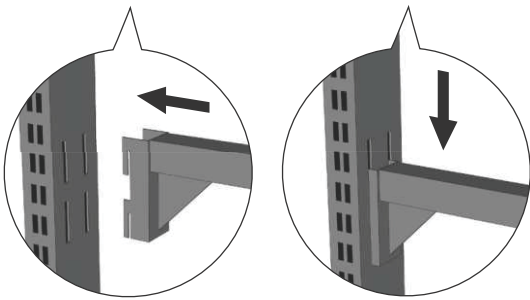
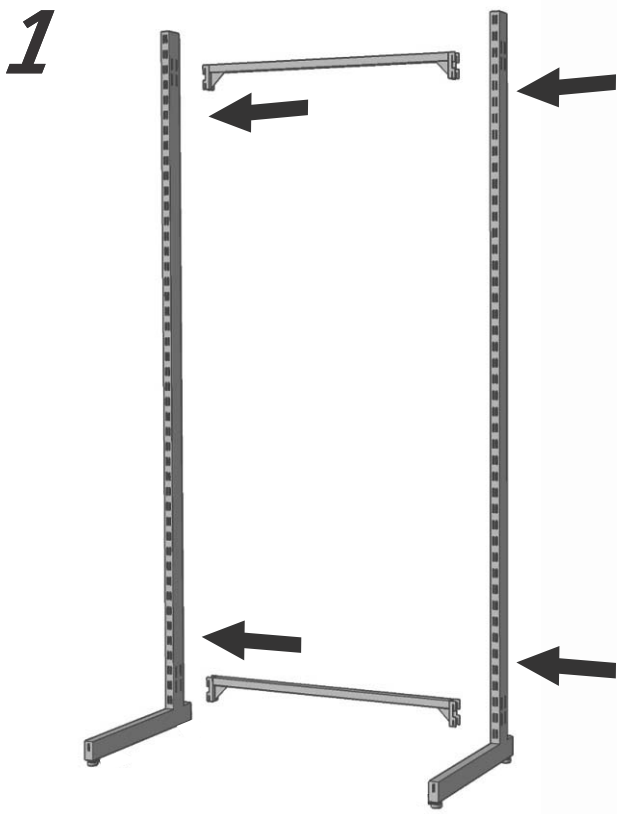
x2

Spreader Bar

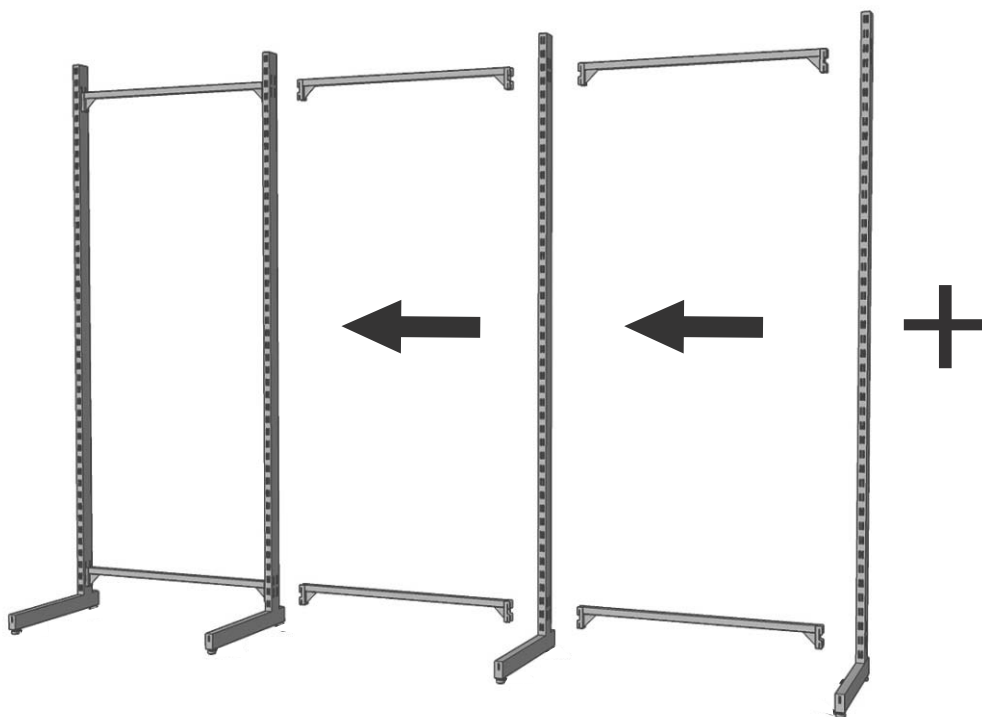
x2 *



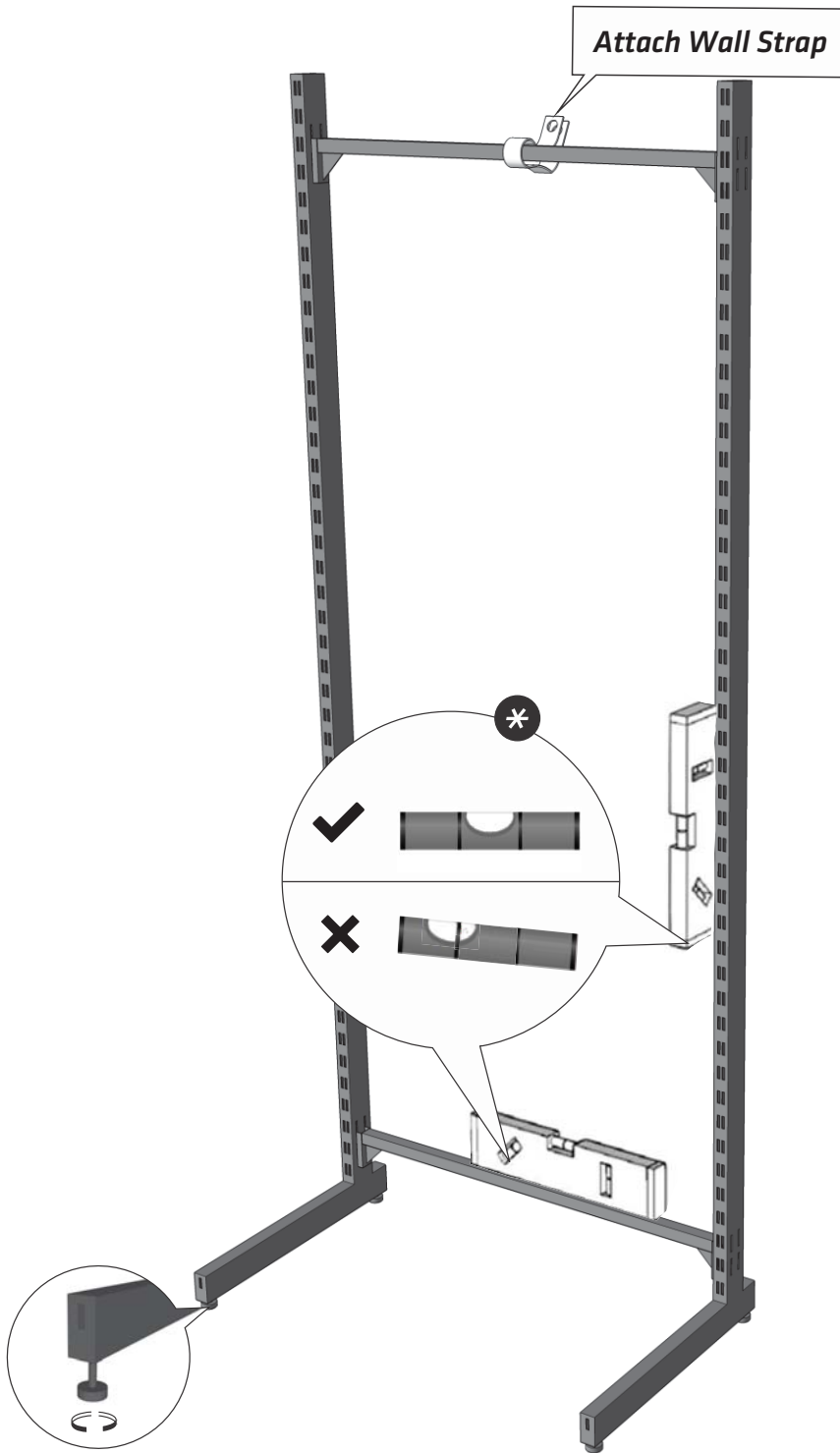
**note: use Spreader Bar Type 2 for Ombra System [fabric back panels]*



2

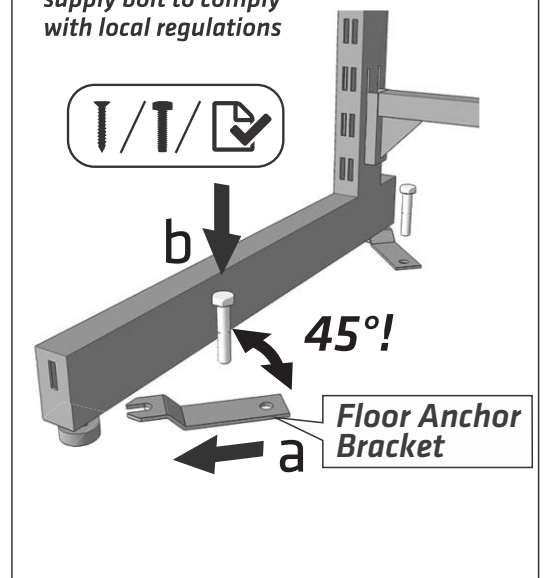


3 **note: repeat step for each wall bay frame*



Sold Separately: PN# FAB_ZN

If required - installer to supply bolt to comply with local regulations



▶ **proceed to relevant back panel instructions**